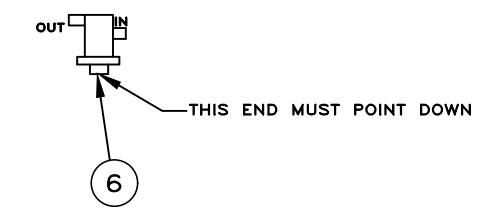
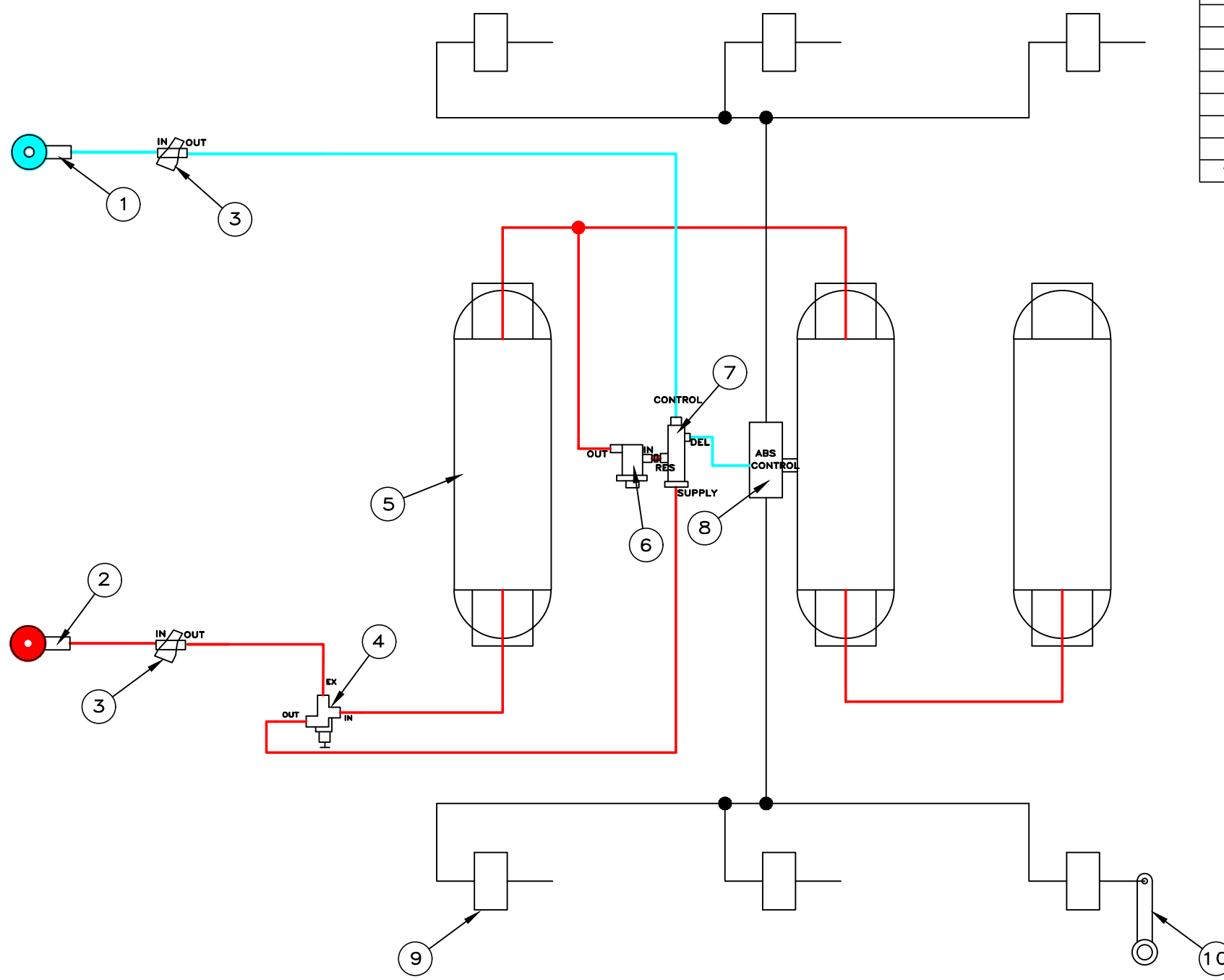


ITEM #	QTY	PART NO.	PART DESCRIPTION
1	1	12-006	PHILIPS GLAD HAND - BLUE
		12-0061	PHILIPS GLAD HAND-BLUE/FILTER (OPTIONAL)
2	1	12-008	PHILIPS GLAD HAND RED
		12-0081	PHILIPS GLAD HAND RED/FILTER (OPTIONAL)
3	2	4325000050	MERITOR AIR FILTER
4	1	17600B	SEALCO EMERGENCY RELEASE VALVE (OPTIONAL)
5	3	E10734	EUCLID AIR TANK 9 1/2" X 27 1/2"-1488 CU IN
6	1	110257	SEALCO EMERG. BRAKE PRESS. PROTECTION
7	1	110376	SEALCO EMERG. CONTROL VALVE
8	1	S4005001030	MERITOR 4S2M ABS CONTROL VALVE
9	6	N42A30SCND	ADP-TYPE 30 BRAKE CHAMBER
10	6	E11399	EUCLID AUTO SLACK ADJUSTER



FreFlyt
 279 E 1st Street
 Vanderhoof, B.C. V0J 3A0
 Ph: (250)-567-9266
 Fax: (250)-567-2789

APPROVED BY		YR	MO	DAY
	DRAWN	RM	14	03
DATE	CH'K'D			
	APP'D			

LONG LOG
 STANDARD AIR CHAMBER
 WITH BRAKE RELEASE