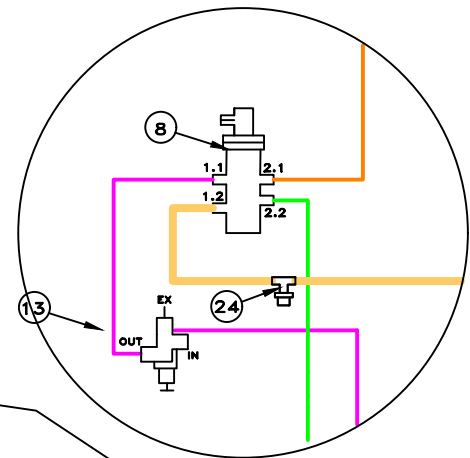


ITEM #	QTY	PART NO.	PART DESCRIPTION
1	1	12-006	PHILIPS GLAD HAND / BLUE
2	1	32019	VELVAC QUICK RELEASE/TRAILERSIDE / 1/2" NPT
3	1	12-008	PHILIPS GLAD HAND / RED
4	1	35094	VALVEC GLAD HAND / SHUTOFF / YELLOW
5	2	4325000050	MERITOR AIR FILTER
6			
7			
8	1	4630840500	MERITOR LIFT AXLE CONTROL VALVE/AUTOMATIC
9	4	E11399	EUCLID AUTO SLACK ADJUSTER
10	1	461008	SLOAN AIR TANK / 12"X 29 1/2" / 2850 CU IN
11	1	S4005001050	MERITOR 2S2M ABS BRAKE VALVE WITH INFOLINK
12	1	110500	SEALCO SPRING BRAKE CONTROL VALVE
13	2	17610	SEALCO SUSPENSION EXHAUST VALVE
14	1	4410441060	MERITOR PRESSURE TRANSDUCER
15	1	17600B	SEALCO EMERGENCY BRAKE RELEASE VALVE
16			
17	1	140270	SEALCO BRAKE SYSTEM PROTECTION VALVE
18	4	TSEBLSB303	TSE elsb SPRING BRAKE / 3030/2 1/2" STROKE
19	2	2B9252	GOODYEAR AXLE LIFT AIR BAG
20			
21	4	S20124	HENDRICKSON AIR BAG (STANDARD)
22	1	VS-228	MERITOR HEIGHT CONTROL VALVE
23			
24			
25			
26			



FreFlyt **P & H Supplies**
279 E 1st Street
Vanderhoof, B.C. V0J 3A0
Ph: (250)-567-9266
Fax: (250)-567-2789

APPROVED BY			YR	MO	DAY
	DRAWN	RM	14	03	19
DATE	CH'K'D				
	APP'D				

SHORT LOG
STRECHED B TRAIN B UNIT
MERITOR LIFT AXLE
MERITOR RHV WITH DUMP
POST OCT. 01/2016

DWG B	000	REV	00
-------	-----	-----	----