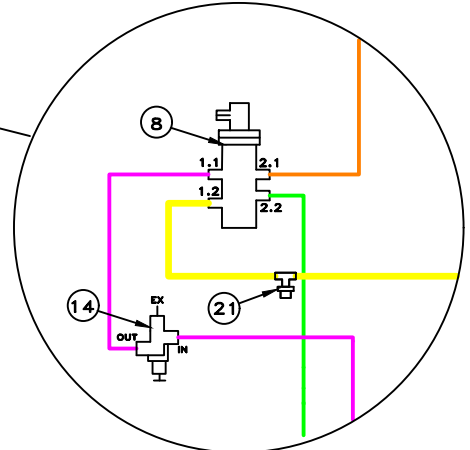



ITEM #	QTY	PART NO.	PART DESCRIPTION
1	1	12-006	PHILIPS GLAD HAND / BLUE
2	1	32019	VELVAC QUICK RELEASE/TRAILERSIDE / 1/2" NPT
3	2	4325000050	MERITOR AIR FILTER
4	1	12-008	PHILIPS GLAD HAND / RED
5	3	35094	VALVEC GLAD HAND / SHUTOFF / YELLOW
6	1	R12P	BENDIX PILOT RELAY VALVE
7	1	10200 3/8"	SEALCO ONE-WAY CHECK VALVE
8	1	4630840500	MERITOR LIFT AXLE CONTROL VALVE/AUTOMATIC
9	4	2B9252	GOODYEAR AXLE LIFT AIR BAG
10	1	17600B	SEALCO EMERGENCY BRAKE RELEASE VALVE
11	1	S4005001050	MERITOR 2S2M ABS BRAKE VALVE WITH INFOLINK
12	1	110500	SEALCO SPRING BRAKE CONTROL VALVE
13	1	461008	SLOAN AIR TANK / 12"X 29 1/2" / 2850 CU IN
14	2	17610	SEALCO SUSPENSION EXHAUST VALVE
15	1	VS-228	MERITOR HEIGHT CONTROL VALVE
16	6	S20124	HENDRICKSON AIR BAG (STANDARD)
17	1	140270	SEALCO BRAKE SYSTEM PROTECTION VALVE
18	4	TSEBLSB303	TSE elsb SPRING BRAKE / 3030/2 1/2" STROKE
19	1	032020	VELVAC QUICK RELEASE/TRUCKSIDE/ 1/2" NPT
20	4	E11399	EUCLID AUTO SLACK ADJUSTER
21	1	4410441060	MERITOR PRESSURE TRANSDUCER
22	1	035094	VELVAC GLADHAND / SHUTOFF / BLUE
23	1	035095	VELVAC GLADHAND / SHUTOFF / RED
24	1	E10734	EUCLID AIR TANK/9 1/2" X 27 1/2" 1488 CU IN
25	1	QR1	BENDIX QR1 QUICK RELEASE VALVE [REAR AXLE ONLY]
26			



AFTER OCT. 01/2016



P & H Supplies
 279 E 1st Street
 Vanderhoof, B.C. V0J 3A0
 Ph: (250)-567-9266
 Fax: (250)-567-2789

APPROVED BY		YR	MO	DAY
	DRAWN	RM	14	03 19
DATE	CH'K'D			
	APP'D			

SHORT LOG SUPER B
 STRETCHED A UNIT
 MERITOR LIFT AXLE
 MERITOR RHV WITH DUMP

DWG B	000	REV	00
-------	-----	-----	----