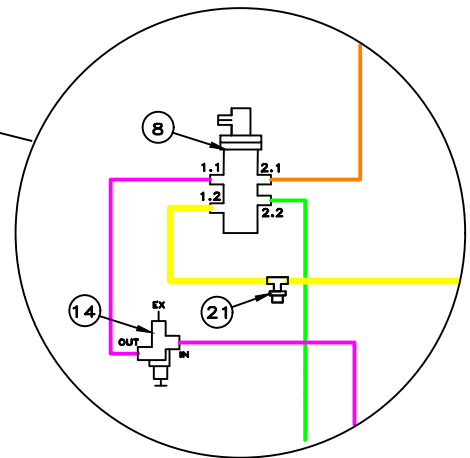


| ITEM # | QTY | PART NO. | PART DESCRIPTION |
|--------|-----|-------------|---|
| 1 | 1 | 12-006 | PHILIPS GLAD HAND / BLUE |
| 2 | 1 | 32019 | VELVAC QUICK RELEASE/TRAILERSIDE / 1/2" NPT |
| 3 | 2 | 4325000050 | MERITOR AIR FILTER |
| 4 | 1 | 12-008 | PHILIPS GLAD HAND / RED |
| 5 | 3 | 35094 | VALVEC GLAD HAND / SHUTOFF / YELLOW |
| 6 | 1 | R12P | BENDIX PILOT RELAY VALVE |
| 7 | 1 | 10200 3/8" | SEALCO ONE-WAY CHECK VALVE |
| 8 | 1 | 4630840500 | MERITOR LIFT AXLE CONTROL VALVE/AUTOMATIC |
| 9 | 4 | 2B9252 | GOODYEAR AXLE LIFT AIR BAG |
| 10 | 1 | 17600B | SEALCO EMERGENCY BRAKE RELEASE VALVE |
| 11 | 1 | S4005001050 | MERITOR 2S2M ABS BRAKE VALVE WITH INFOLINK |
| 12 | 1 | 110500 | SEALCO SPRING BRAKE CONTROL VALVE |
| 13 | 1 | 461008 | SLOAN AIR TANK / 12"X 29 1/2" / 2850 CU IN |
| 14 | 2 | 17610 | SEALCO SUSPENSION EXHAUST VALVE |
| 15 | 1 | VS-228 | MERITOR HEIGHT CONTROL VALVE WITH DUMP |
| 16 | 6 | S20124 | HENDRICKSON AIR BAG (STANDARD) |
| 17 | 1 | 90054107 | HALDEX BRAKE SYSTEM PROTECTION VALVE |
| 18 | 4 | TSEBLSB303 | TSE elsb SPRING BRAKE / 3030/2 1/2" STROKE |
| 19 | 1 | 032020 | VELVAC QUICK RELEASE/TRUCKSIDE/ 1/2" NPT |
| 20 | 4 | E11399 | EUCLID AUTO SLACK ADJUSTER |
| 21 | 1 | 4410441060 | MERITOR PRESSURE TRANSDUCER |
| 22 | 1 | 035094 | VELVAC GLADHAND / SHUTOFF / BLUE |
| 23 | 1 | 035095 | VELVAC GLADHAND / SHUTOFF / RED |
| 24 | 1 | E10734 | EUCLID AIR TANK/9 1/2" X 27 1/2" 1488 CU IN |
| 25 | | | |
| 6 | 1 | 110580 | SEALCO CONTROL LINE BOOSTER |



OPTION

PRE OCT. 01/2016

P & H Supplies
 279 E 1st Street
 Vanderhoof, B.C. V0J 3A0
 Ph: (250)-567-9266
 Fax: (250)-567-2789

| | | | | |
|-------------|--------|----|----|-----|
| APPROVED BY | | YR | MO | DAY |
| | DRAWN | RM | 14 | 03 |
| DATE | CH'K'D | | | |
| | APP'D | | | |

**SHORT LOG SUPER B
 A UNIT
 MERITOR AXLE LIFT
 MERITOR RHV WITH DUMP**

| | | | |
|-------|-----|-----|----|
| DWG B | 000 | REV | 00 |
|-------|-----|-----|----|