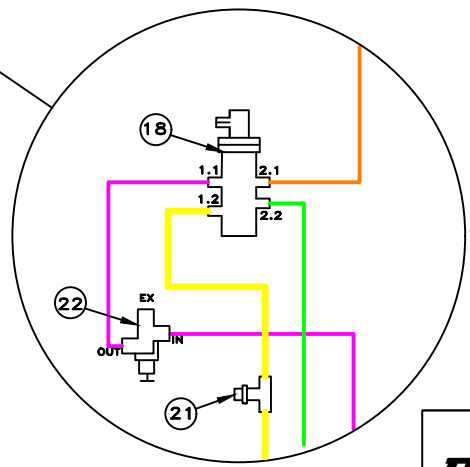


| ITEM # | QTY | PART NO.    | PART DESCRIPTION                            |
|--------|-----|-------------|---|
| 1      | 1   | 12-006      | PHILIPS GLAD HAND / BLUE                    |
| 2      | 1   | 032019      | VELVAC QUICK RELEASE/TRAILERSIDE / 1/2" NPT |
| 3      | 2   | 4325000050  | MERITOR AIR FILTER                          |
| 4      | 1   | 12-008      | PHILIPS GLAD HAND / RED                     |
| 5      | 1   | 035094      | VELVAC GLAD HAND / SHUTOFF / YELLOW         |
| 6      | 1   | 17600B      | SEALCO EMERGENCY RELEASE VALVE              |
| 7      | 1   | GDT4111     | GDT RAPID DUMP VALVE                        |
| 8      | 1   | E10734      | EUCLID AIR TANK/9 1/2" X 27 1/2" 1488 CU IN |
| 9      | 4   | 2B9-252     | GOODYEAR AXLE LIFT AIR BAG                  |
| 10     | 6   | TSEBLSB303  | TSE elsb SPRING BRAKE / 3030/2 1/2" STROKE  |
| 11     | 6   | S20124      | HENDRICKSON SUSPENSION AIR BAG              |
| 12     | 1   | 90554615    | HALDEX 3-WAY PILOT VALVE                    |
| 13     | 1   | 461008      | SLOAN AIR TANK/12" X 29 1/2"/2850 CU. IN.   |
| 14     | 1   | S4005001050 | MERITOR 2S2M ABS BRAKE VALVE                |
| 15     | 1   | 110500      | SEALCO SPRING BRAKE CONTROL VALVE           |
| 16     | 1   | 90554107    | HALDEX BRAKE SYSTEM PROTECTION VALVE        |
| 17     | 1   | 900054007   | HALDEX HEIGHT CONTROL VALVE                 |
| 18     | 1   | 4630840500  | MERITOR LIFT AXLE CONTROL VALVE/AUTOMATIC   |
| 19     | 1   | 132000      | SEALCO SUSPENSION EXHAUST VALVE             |
| 20     | 6   | E11399      | EUCLID AUTO SLACK ADJUSTER                  |
| 21     | 1   | 4410441060  | MERITOR PRESSURE TRANSDUCER                 |
| 22     | 2   | 17610       | SEALCO AIR BAG CONTROL VALVE                |



PRE OCT. 01/2016

**P & H Supplies**  
 279 E 1st Street  
 Vanderhoof, B.C. V0J 3A0  
 Ph: (250)-567-9266  
 Fax: (250)-567-2789

|             |       |        |       |    |     |
|-------------|-------|--------|-------|----|-----|
| APPROVED BY |       |        | YR    | MO | DAY |
|             |       |        | 14    | 03 | 19  |
| DATE        | DRAWN | CH'K'D | APP'D |    |     |
|             | RM    |        |       |    |     |

**LD-HAYRACK  
 MERITOR SINGLE STAGE  
 LIFT AXLES  
 HALDEX RHV**

|       |     |     |    |
|-------|-----|-----|----|
| DWG B | 000 | REV | 00 |
|-------|-----|-----|----|