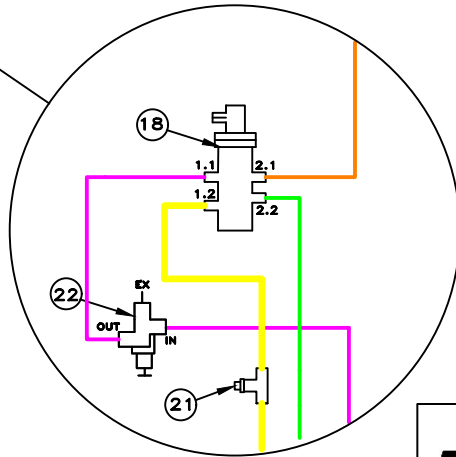



ITEM #	QTY	PART NO.	PART DESCRIPTION
1	1	12-006	PHILIPS GLAD HAND / BLUE
2	1	032019	VELVAC QUICK RELEASE/TRAILERSIDE / 1/2" NPT
3	2	4325000050	MERITOR AIR FILTER
4	1	12-008	PHILIPS GLAD HAND / RED
5	1	035094	VELVAC GLAD HAND / SHUTOFF / YELLOW
6	1	17600B	SEALCO EMERGENCY RELEASE VALVE
7	1	GDT4111	GDT RAPID DUMP VALVE
8	1	E10734	EUCLID AIR TANK/9 1/2" X 27 1/2" 1488 CU IN
9	4	2B9-252	GOODYEAR AXLE LIFT AIR BAG
10	6		
11	6	S3830	HENDRICKSON SUSPENSION AIR BAG
12		TSEBLSB303	TSE elsb SPRING BRAKE / 3030/2 1/2" STROKE
13	1	461008	SLOAN AIR TANK/12" X 29 1/2"/2850 CU. IN.
14	1	S4005001050	MERITOR 2S2M ABS BRAKE VALVE
15	1	110500	SEALCO SPRING BRAKE CONTROL VALVE
16	1	140270	SEALCO BRAKE SYSTEM PROTECTION VALVE
17	1	900054007	HALDEX HEIGHT CONTROL VALVE
18	1	4630840500	MERITOR LIFT AXLE CONTROL VALVE/AUTOMATIC
19			
20	6	E11399	EUCLID AUTO SLACK ADJUSTER
21	1	4410441060	MERITOR PRESSURE TRANSDUCER
22	2	17610	SEALCO AIR BAG CONTROL VALVE





P & H Supplies
 279 E 1st Street
 Vanderhoof, B.C. V0J 3A0
 Ph: (250)-567-9266
 Fax: (250)-567-2789

APPROVED BY				YR	MO	DAY
				14	03	19
DATE						

HD-HAYRACK
 WITH SINGLE STAGE
 MERITOR LIFT AXLES
 MERITOR RHV WITH DUMP
 AFTER OCT. 01/2016

DWG B	000	REV	00
-------	-----	-----	----