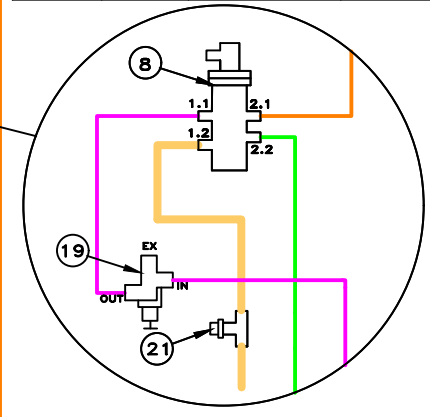



ITEM #	QTY	PART NO.	PART DESCRIPTION
1	1	12-006	PHILIPS GLAD HAND / BLUE
2	1	032019	VELVAC QUICK RELEASE/TRAILERSIDE / 1/2" NPT
3	2	4325000050	MERITOR AIR FILTER
4	1	12-008	PHILIPS GLAD HAND / RED
5	1	035094	VELVAC GLAD HAND / SHUTOFF / YELLOW
6	1	17600B	SEALCO EMERGENCY RELEASE VALVE
7			
8	1	E10734	EUCLID AIR TANK/9 1/2" X 27 1/2" 1488 CU IN
9	4	2B9-252	GOODYEAR AXLE LIFT AIR BAG
10	6	TSEBLSB3030	TSE elsb SPRING BRAKE / 3030 / 2 1/2" STROKE
11	6	S3830	HENDRICKSON SUSPENSION AIR BAG
12			
13	1	461008	SLOAN AIR TANK/12" X 29 1/2"/2850 CU. IN.
14	1	S4005001050	MERITOR 2S2M ABS BRAKE VALVE
15	1	110500	SEALCO SPRING BRAKE CONTROL VALVE
16	1	90554107	HALDEX BRAKE SYSTEM PROTECTION VALVE
17	1	VS-228	MERITOR HEIGHT CONTROL/DUMP VALVE
18	1	4630840500	MERITOR LIFT AXLE CONTROL VALVE/AUTOMATIC
19	1	17610	SEALCO SUSPENSION EXHAUST VALVE
20	6	E11399	EUCLID AUTO SLACK ADJUSTER
21	1	4410441060	MERITOR PRESSURE TRANSDUCER
22			



PRE OCT. 01/2016



P & H Supplies
 279 E 1st Street
 Venderhoof, B.C. V0J 3A0
 Ph: (250)-567-9266
 Fax: (250)-567-2789

APPROVED BY		YR	MO	DAY
	DRAWN RM	14	03	19
DATE	CH'K'D			
	APP'D			

**HD-HAYRACK
 SINGLE STAGE MERITOR
 LIFT AXLES
 MERITOR RIDE HEIGHT VALVE
 WITH BUILT IN SUSP. DUMP**

DWG B	000	REV	R1
-------	-----	-----	----