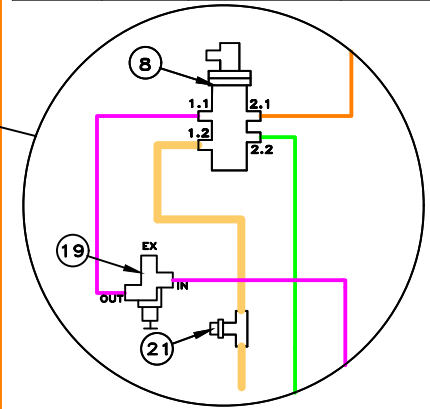



| ITEM # | QTY | PART NO. | PART DESCRIPTION |
|--------|-----|-------------|----------------------------------------------|
| 1 | 1 | 12-006 | PHILIPS GLAD HAND / BLUE |
| 2 | 1 | 032019 | VELVAC QUICK RELEASE/TRAILERSIDE / 1/2" NPT |
| 3 | 2 | 4325000050 | MERITOR AIR FILTER |
| 4 | 1 | 12-008 | PHILIPS GLAD HAND / RED |
| 5 | 1 | 035094 | VELVAC GLAD HAND / SHUTOFF / YELLOW |
| 6 | 1 | 17600B | SEALCO EMERGENCY RELEASE VALVE |
| 7 | | | |
| 8 | 1 | E10734 | EUCLID AIR TANK/9 1/2" X 27 1/2" 1488 CU IN |
| 9 | 4 | 2B9-252 | GOODYEAR AXLE LIFT AIR BAG |
| 10 | 6 | TSEBLSB3030 | TSE elsb SPRING BRAKE / 3030 / 2 1/2" STROKE |
| 11 | 6 | S3830 | HENDRICKSON SUSPENSION AIR BAG |
| 12 | | | |
| 13 | 1 | 461008 | SLOAN AIR TANK/12" X 29 1/2"/2850 CU. IN. |
| 14 | 1 | S4005001050 | MERITOR 2S2M ABS BRAKE VALVE |
| 15 | 1 | 110500 | SEALCO SPRING BRAKE CONTROL VALVE |
| 16 | 1 | 140270 | SEALCO BRAKE SYSTEM PROTECTION VALVE |
| 17 | 1 | VS-228 | MERITOR HEIGHT CONTROL/DUMP VALVE |
| 18 | 1 | 4630840500 | MERITOR LIFT AXLE CONTROL VALVE/AUTOMATIC |
| 19 | 1 | 17610 | SEALCO SUSPENSION EXHAUST VALVE |
| 20 | 6 | E11399 | EUCLID AUTO SLACK ADJUSTER |
| 21 | 1 | 4410441060 | MERITOR PRESSURE TRANSDUCER |
| 22 | | | |



AFTER OCT. 01/2016



P & H Supplies
 279 E 1st Street
 Vanderhoof, B.C. V0J 3A0
 Ph: (250)-567-9266
 Fax: (250)-567-2789

| | | | | | | | |
|-------------|--------|----|----|----|----|--|--|
| APPROVED BY | | | | | | | |
| | DRAWN | RM | 14 | 03 | 19 | | |
| DATE | CH'K'D | | | | | | |
| | APP'D | | | | | | |

**HD-HAYRACK
 SINGLE STAGE MERITOR
 LIFT AXLES
 MERITOR RIDE HEIGHT VALVE
 WITH BUILT IN SUSP. DUMP**

| | | | |
|-------|-----|-----|----|
| DWG B | 000 | REV | R1 |
|-------|-----|-----|----|