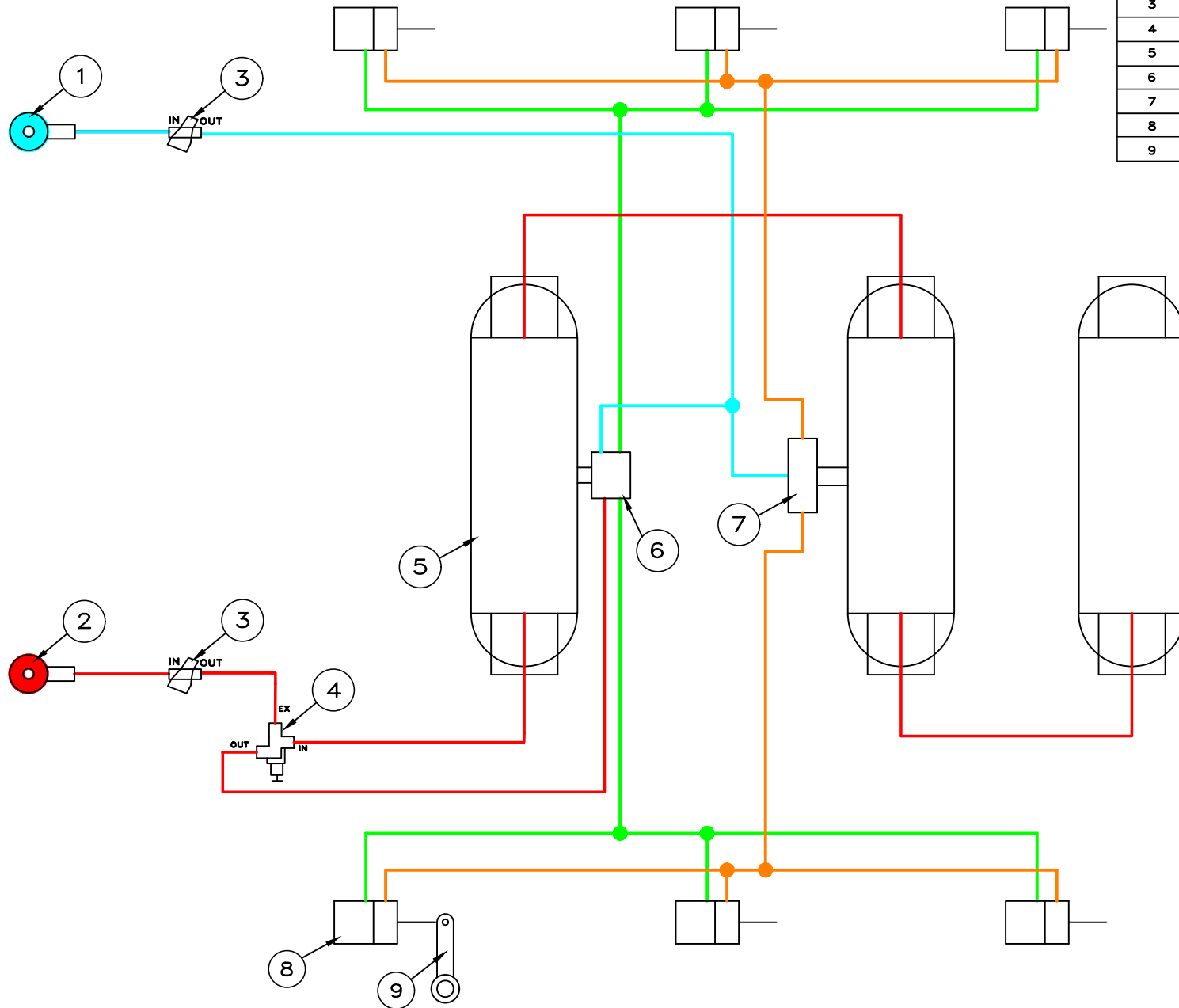



ITEM #	QTY	PART NO.	PART DESCRIPTION
1	1	12-006	PHILIPS GLAD HAND - BLUE
		12-0061	PHILIPS GLAD HAND - BLUE / FILTER (OPTIONAL)
2	1	12-008	PHILIPS GLAD HAND - RED
		12-0081	PHILIPS GLAD HAND - RED / FILTER (OPTIONAL)
3	2	4325000050	MERITOR AIR FILTER
4	1	17600B	SEALCO EMERGENCY RELEASE VALVE
5	3	E10734	EUCLID AIR TANK 9 1/2" X 27 1/2" 1488 CU. IN.
6	1	110500	SEALCO SPRING BRAKE CONTROL VALVE
7	1	S4005001030	MERITOR 4S2M ABS CONTROL VALVE
8	6	TSEBLSB303	TSE elsb SPRING BRAKE / 3030/2 1/2" STROKE
9	6	E11399	EUCLID AUTO SLACK ADJUSTER





P & H Supplies
 279 E 1st Street
 Venderhoof, B.C. V0J 3A0
 Ph: (250)-567-9266
 Fax: (250)-567-2789

APPROVED BY					
	DRAWN	RM	14	03	19
DATE	CH'K'D				
	APP'D				

**LONG LOG
 SPRING BRAKE
 WITH BRAKE RELEASE**

DWG B	000	REV	00
-------	-----	-----	----