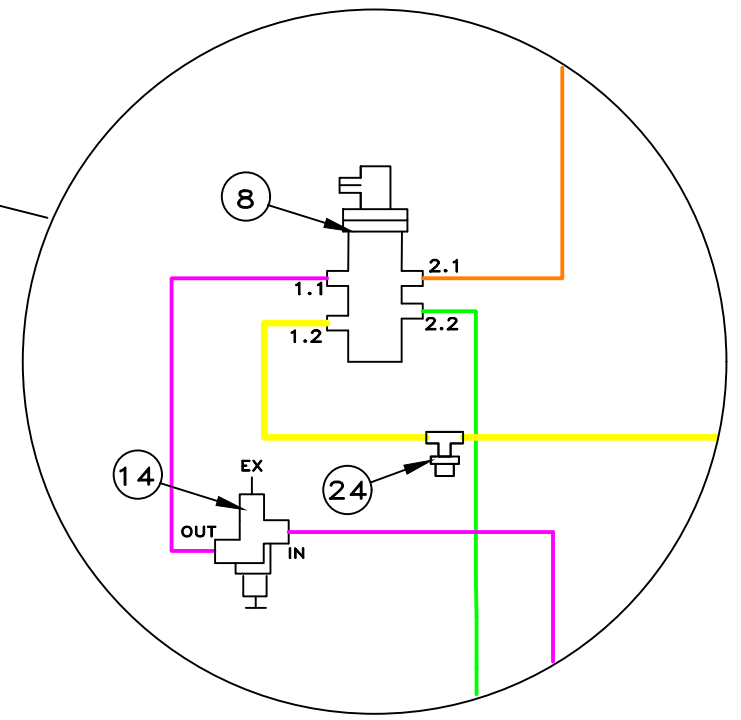


ITEM #	QTY	PART NO.	PART DESCRIPTION
1	2	12-006	PHILIPS GLAD HAND / BLUE
2	1	32019	VELVAC QUICK RELEASE/TRAILERSIDE / 1/2" NPT
3	2	12-008	PHILIPS GLAD HAND / RED
4	3	35094	VALVEC GLAD HAND / SHUTOFF / YELLOW
5	2	4325000050	MERITOR AIR FILTER
6	1	R12P	BENDIX PILOT RELAY VALVE
7	1	10200 3/8"	SEALCO ONE-WAY CHECK VALVE
8	1	4630840500	MERITOR LIFT AXLE CONTROL VALVE/AUTOMATIC
9	4	E11399	EUCLID AUTO SLACK ADJUSTER
10	1	461008	SLOAN AIR TANK / 12"X 29 1/2" / 2850 CU IN
11	1	S4005001050	MERITOR 2S2M ABS BRAKE VALVE WITH INFOLINK
12	1	110500	SEALCO SPRING BRAKE CONTROL VALVE
14	2	17610	SEALCO AIR BAG CONTROL VALVE
15	1	17600B	SEALCO EMERGENCY RELEASE VALVE
16	1	GDT4111	GDT RAPID DUMP VALVE
17	1	140270	SEALCO BRAKE SYSTEM PROTECTION VALVE
18	4	TSEBLSB303	TSE elsb SPRING BRAKE / 3030/2 1/2" STROKE
19	2	2B9252	GOODYEAR AXLE LIFT AIR BAG
20	1	90554615	HALDEX 3-WAY PILOT VALVE
21	4	S20124	HENDRICKSON AIR BAG (STANDARD)
22	1	900054007	HALDEX HEIGHT CONTROL VALVE
23	1	032020	VELVAC QUICK RELEASE/TRUCKSIDE/ 1/2" NPT
24	1	4410441060	MERITOR PRESSURE TRANSDUCER
25	1	035094	VELVAC GLADHAND / SHUTOFF / BLUE
26	1	035095	VELVAC GLADHAND / SHUTOFF / RED
OPTION 6	1	110580	SEALCO CONTROL LINE BOOSTER



AFTER OCT. 01/2016

FreFlyt
 279 E 1st Street
 Vanderhoof, B.C. V0J 3A0
 Ph: (250)-567-9266
 Fax: (250)-567-2789

APPROVED BY	DRAWN	YR	MO	DAY
	RM	14	03	19
DATE	CH'K'D			
	APP'D			

SHORT LOG
 B TRAIN A UNIT
 LIFT AXLE
 MERITOR

DWG B	000	REV	00
-------	-----	-----	----