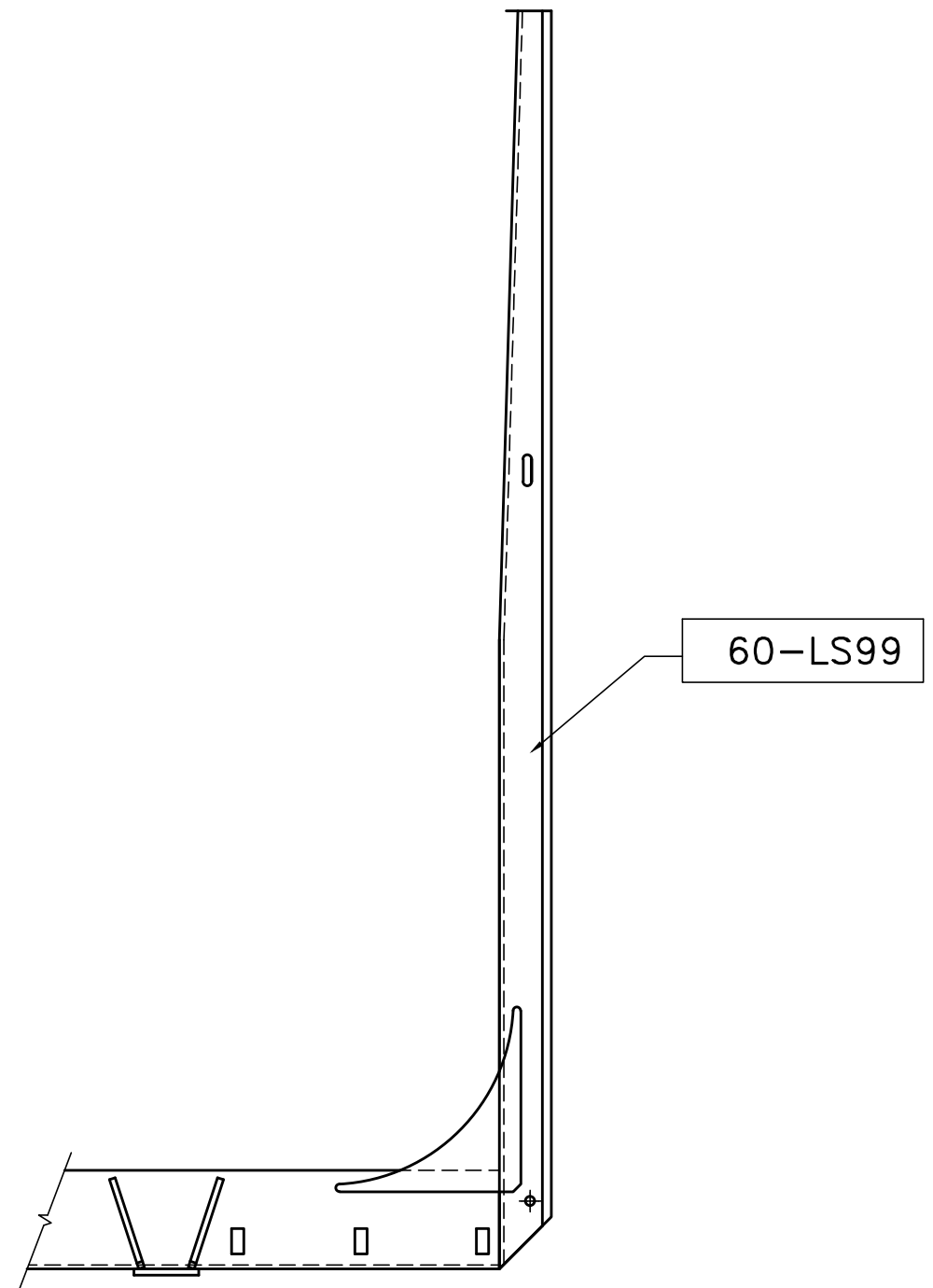


60BT-96-60-48
 9'-6" SOLID BUNK BODY
 60" STAKES 48" EXTENSIONS
B TRAIN OR HAYRACK NECK



60-BT96-99
 9'-6" SOLID BUNK BODY
 99" SOLID STAKE
B TRAIN OR HAYRACK NECK